



## **PEUGEOT BOXER**

PRICES, EQUIPMENT & TECHNICAL SPECIFICATION  
DECEMBER 2023: E & OE



# KNOW EVERYTHING ABOUT YOUR NEW BOXER



## BOXER PANEL

### BOXER STANDARD PANEL VAN

#### Exterior Style & Loading

- Near side unglazed sliding side door
- Twin unglazed rear doors
- Full steel bulkhead
- Eight tie-down hooks in the load area (ten on L3 & L4)
- Load area interior light (two on H2 & H3)

#### Safety and Security

- Electronic Stability Control, EBF (Electronic Brake Force Distribution) and ABS
- Driver and Front Passenger's airbag
- Remote central locking with deadlocks; separate locking for cab
- Rear parking sensors with pedestrian warning noise
- Hill Hold
- Alarm with deadlocks

#### Comfort and Convenience

- Drivers seat with lumbar adjustment, height adjustment + armrest. Includes folding writing table on passenger seat
- Dual cab passenger seat
- Reach adjustable steering column
- Front electric windows
- Full size steel spare wheel
- 'Magnet' Cloth upholstery
- Cup Holders
- Manual airconditioning
- Cruise control with speedlimiter
- Electric and heated wingmirrors

#### Technology and Entertainment

- FM, DAB Digital Radio
- Bluetooth with USB input
- 12v Socket in cabin
- Nav + Touchscreen (Without Mirror Screen)



# PEUGEOT BOXER RETAIL PRICE LIST

Length / Height	Model	Model Description	RRSP* From €	CO <sub>2</sub>	VRT Band	Annual Road Tax	Engine CC	Fuel Type
L1 H1	330	2.2 BlueHDi 120bhp 1125kg	€33,325	219	Comm	€333	2197	Diesel
L1 H1	333	2.2 BlueHDi 120bhp 1370kg	€35,595	231	Comm	€333	2197	Diesel
L2 H1	333	2.2 BlueHDi 140bhp 1370kg	€36,430	222	Comm	€333	2197	Diesel
L2 H2	333	2.2 BlueHDi 120bhp 1345kg	€36,930	234	Comm	€333	2197	Diesel
L2 H2	335	2.2 BlueHDi 140bhp 1545kg	€38,805	237	Comm	€333	2197	Diesel
L3 H2	335	2.2 BlueHDi 140bhp 1495kg	€39,845	237	Comm	€333	2197	Diesel
L3 H2	335	2.2 BlueHDi 165bhp 1490kg	€41,120	242	Comm	€333	2197	Diesel
L4 H3	435	2.2 BlueHDi 140bhp 1380kg	€42,800	254	Comm	€333	2197	Diesel
L3	435	2.2 BlueHDi 140bhp Chassis Cab	€37,180	264	Comm	€333	2197	Diesel
L3	435	2.2 BlueHDi 140bhp Double Chassis Cab	€43,995	274	Comm	€333	2197	Diesel
L3	335	2.2 BlueHDi 165bhp Floor Cab	€37,580	255	Comm	€333	2197	Diesel
L2	435	2.2 BlueHDi 140bhp 3-Way Tipper	€48,350	300	Comm	€333	2197	Diesel
L3	435	2.2 BlueHDi 140bhp 3-Way Tipper Double Chassis Cab	€59,995	300	Comm	€333	2197	Diesel

\* Dealer delivery related charges, metallic paint and tyre recycling levy not included.

# PEUGEOT BOXER EQUIPMENT

	Standard Panel Van
<b>TECHNOLOGY &amp; ENTERTAINMENT</b>	
FM, DAB Digital Radio including Bluetooth and USB socket	●
Nav + Touchscreen (Without Mirror Screen)	●
Roof mounted aerial	●
Four speakers (2 speakers & 2 tweeters)	●
<b>COMFORT AND CONVENIENCE</b>	
Variable assisted power steering	●
Gear shift indicator	●
Electric front windows	●
Reach adjustable steering column	●
Central dash folding clipboard (deleted with passenger airbag)	●
Four speed heater blower, four face level vents and two side window demisters	●
Manual Air-conditioning	●
Cruise control + Speedlimiter	●
<b>SAFETY &amp; SECURITY</b>	
ABS	●
ESP (including traction control)	●
EBFD (Electronic Brake Force Distribution)	●
Oil level indicator	●
Driver and Front Passenger's airbag	●
Steel spare wheel	●
Full steel bulkhead	●
Three x3 point inertia reel, height adjustable seatbelts (Two with single passenger seat)	●
Thatcham rolling transponder immobiliser	●
Deadlocks	●
3-button flip remote control central locking x1	●
Lockable fuel filler cap	●
Visible Vehicle Identification Number (at base of windscreen)	●
Rear parking sensor with pedestrian warning noise	●
Hill Hold	●
Alarm	●

# PEUGEOT BOXER EQUIPMENT

	Standard Panel Van
<b>EXTERIOR LIGHTING &amp; VISIBILITY</b>	
Halogen headlights with clear polycarbonate lenses	●
Rear fog lights and twin reversing lights	●
Remote headlight adjustment from fascia	●
Filtering tinted glass	●
Two speed and intermittent front wipers	●
High level third brake light	●
<b>DOOR &amp; WINDOW OPTIONS</b>	
Solid twin 180° opening rear doors	●
Solid nearside sliding side door	●
<b>INSTRUMENTS</b>	
Speedometer with digital odometer and digital trip recorder	●
Rev counter, water temperature gauge, fuel gauge and trip computer	●
Side light, headlamp, indicator and battery charge warning	●
Digital clock	●
Lights on warning buzzer	●
Door open warning for cab doors	●
<b>INTERIOR FEATURES</b>	
Two glove boxes	●
Large driver & passenger door pockets	●
Open storage on passenger side lower dash	●
12v socket in cabin	●
Interior light front cabin	●
Eight tie-down hooks in the load area (ten on L3 & L4)	●
Load area light (two on H2 & H3)	●
Cupholder x 2	●
<b>SEATING</b>	
Dual cab passenger seat	●
Front door armrests	●
Non slip hardwearing front cabin floor covering	●
Drivers seat with lumbar adjustment, height adjustment + armrest. Includes folding writing table on passenger seat	●

# PEUGEOT BOXER COLOURS & TRIMS

		Standard Panel Van
Upholstery		Magnet Cloth
Trim Code		35FX
<b>Solid Paint</b>		
Icy White	PRP0	●
Dragon Blue	4PP0	○
Volcano Red	1XP0	○
Horizon Yellow	B1P0	○
<b>Metallic Paint</b>		
Aluminium	ZRE0	○
Graphite Grey	E9M0	○

Please be aware that when requesting a special paint, additional costs will be incurred and lead times can be increased.



# PEUGEOT BOXER OPTION PRICE LIST

	DESCRIPTION	CODE	PROFESSIONAL DIESEL	RRSP
<b>COMFORT &amp; CONVENIENCE</b>				
USB Charger + 12V socket in cargo area		ES13	○	€50
Electric Folding Mirrors		HU02	○	€225
Cup Holder + Tablette Holder		ME15	○	€80
Drivers Premium Comfort Seat	Driver Seat with Air Suspension and full headrest	RH16	○	€575
Tyre Pressure Monitoring System		UE01	○	€300
<b>SAFETY &amp; SECURITY</b>				
2,20 mirror		RX01	○	€150
2,35 mirror		RX05	○	€235
Reinforced Suspension		SE08	○	€185
<b>DOORS &amp; WINDOWS</b>				
Glazed Rear Doors	with Heated Windows & Internal Rear View Mirror	VC02	○	€475
Glazed left hand side sliding door		PC10	○	€395
Glazed Partition Wall		PX09	○	€235
270° Opening rear doors		LL02	○	€495
Second sliding side door		PC12	○	€615



# PEUGEOT BOXER OPTIONS PRICE LIST

	DESCRIPTION	CODE	PROFESSIONAL DIESEL	RRSP
<b>OPTIONS PACKS</b>				
Camera Pack	Rear visibility Camera with dynamic Grid Lines (w/o dynamic grid for PCOV), Blind Spot Assist & Rear Cross Path Detection	J4XC	○	€1,075
Premium Cabin Pack	Seats lateral lower covers, TECHNO dashboard, Central Locked Glovebox, Under ceiling shelf (capucine), High Level Instrument Cluster	J6BW	○	€615
Visibility Pack	DRL led, Fog Lights, Auto Headlights & Wipers	J6CE	○	€775
Safety Pack 1	Front Collision Detection with Emergency Braking & Lane Departure Warning System	D403	○	€995
Safety Pack 2	Speed Limit Recognition, Smartbeam with Auto Headlights, Auto Wipers, Active Safety Brake, Distance Alert System and Lane Departure Warning System	E702	○	€1,425
<b>WHEELS &amp; PAINT</b>				
Metallic Paint		..M0	○	€795
Signature Paint		..M0	○	€1,350
Michelin Agilis 15" Tyres	MICHELIN Agilis CrossClimate All Season (3PMSF)	MI34	○	€395
<b>MISCELLANEOUS</b>				
Front light with LED DRL		FE10	○	€625
SmartTachograph		HC09	○	€1,075
Conversion interface box		J101	○	€300



# PEUGEOT BOXER TECHNICAL INFORMATION

VERSIONS	2.2 BlueHDi 120bhp	2.2 BlueHDi 140bhp				2.2 BlueHDi 165bhp	
	330	333	335	435	335		
Level	L1	L2		L3	L4	L3	
Height	H1	H1	H2		H3	H2	
<b>ENGINE</b>							
Capacity (cc)	2179	2179				2179	
Cylinders / Valves	4 / 16	4 / 16				4 / 16	
Max power CEE (bhp/kW/rpm)	88 (120) / 3500	103 (140) / 3750				TBC	
Max torque CEE (Nm/rpm)	310 (228) / 1500	340 (250) / 1750				TBC	
Bore and stroke (mm)	85 x 96	85 x 96				TBC	
Fuel system	Diesel - High pressure turbo-charged direct injection						
Euro status	EURO 6.4						
Stop & Start system	●						
<b>TRANSMISSION</b>							
Gearbox	Manual						
Number of gears	6						
<b>PERFORMANCE (All figures driver alone)</b>							
Max speed (kph)	155	160	160	160	160	155	160
<b>ECONOMY Litres/100km</b>							
Combined	8.4	8.6	9	9.1	6.2	9.8	9.1
CO2 emissions (g/km)	219	222	235	237	237	254	236
<b>WEIGHTS (kg) with 3 seats/2 seats</b>							
Payload (1)	1125	1370	1345	1545	1495	1380	1490
Kerb weight (2)	1875	1930	1955	1955	2005	2120	2010
Gross Vehicle Weight (GVW)	3000	3300	3300	3500	3500	3500	3500
Max plated front axle (3)	1680	1800	1800	1800	1870	2100	1870
Max plated rear axle (3)	1650	1900	1900	1900	2000	2400	2000
Gross Train Weight (GTW)	5500	5800	5800	5800	6000	6500	6000
Maximum braked towing weight (4)	2500	2500	2500	2500	2500	3000	2500
Maximum unbraked towing weight	750	750	750	750	750	750	750
Maximum towball weight	100	100	100	100	100	100	100
Max roof rack load	150	150	150	150	150	150	150
Brakes Front/Rear	Ventilated Discs / Discs						
Turning circle between kerbs (m)	TBC						
Suspension: Front - Rear	Front: Independent with Macpherson type struts with coil springs and integral dampers Rear: Longitudinal leaf springs with telescopic hydraulic dampers						
Fuel tank capacity (litres)	90						

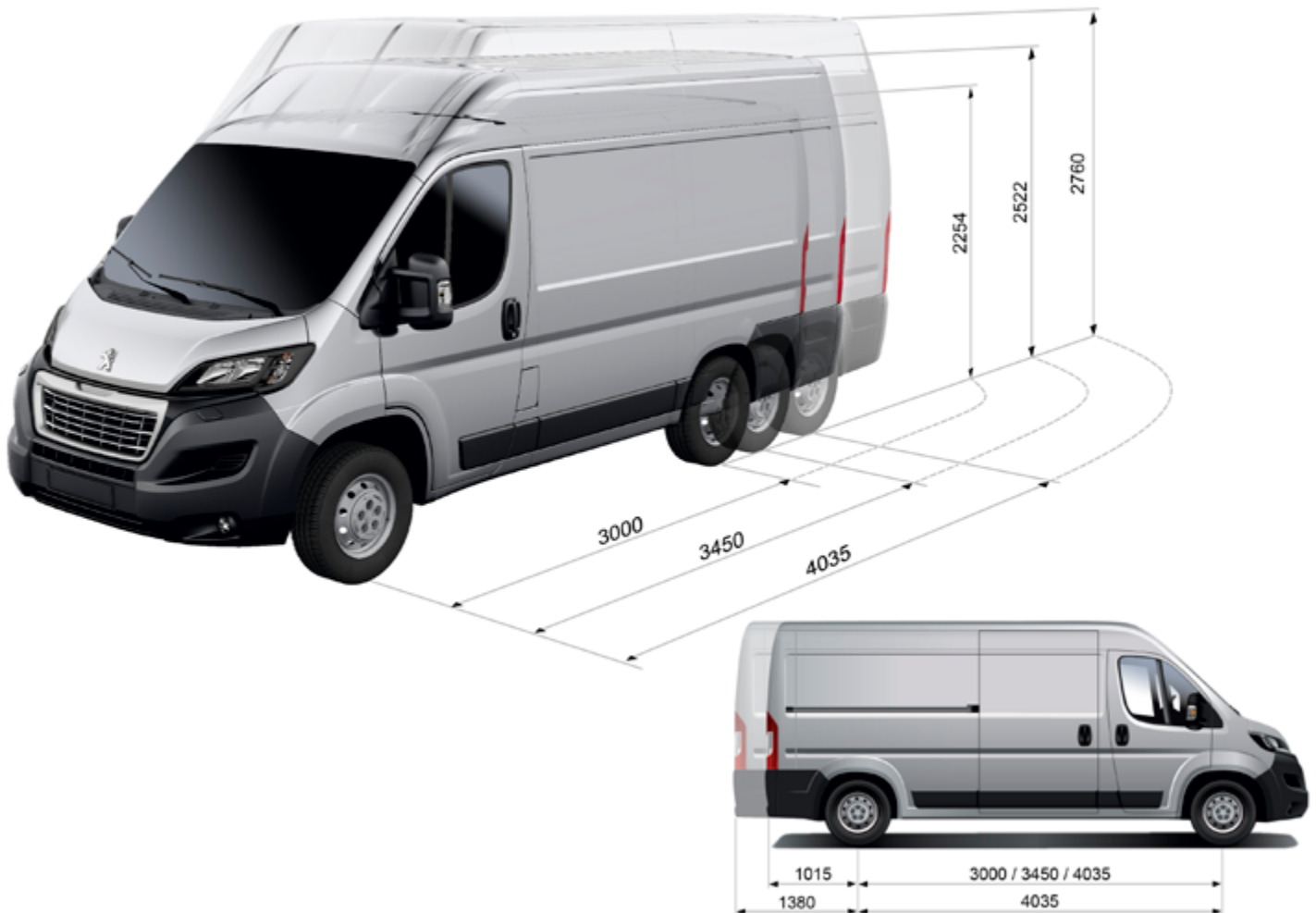
(1) Difference between GVW and kerb weight. (2) Without driver. Kerb weight is calculated including oil, water, lubricants, tools, spare wheel and 90% full fuel tank. Weights may change with the addition of equipment. (3) Within limits of GVW. (4) Maximum recommended towing weight within limits of GTW.

# PEUGEOT BOXER TECHNICAL INFORMATION

VERSION	Boxer L1 Van	Boxer L2 Van		Boxer L3 Van			Boxer L4 Van	
	H1 2.2 BlueHDi 120bhp 1125kg	H1 2.2 BlueHDi 140bhp 1370kg	H2 2.2 BlueHDi 140bhp 1545kg	H2 2.2 BlueHDi 140bhp 1495kg	H2 2.2 BlueHDi 140bhp 1495kg	H2 2.2 BlueHDi 165bhp 1490kg	H3 2.2 BlueHDi 140bhp 1380kg	H3 2.2 BlueHDi 140bhp 1380kg Cruise Control & Reverse Camera
<b>Interior Dimensions (mm)</b>								
Volume (m3)	8	10	11.5	13	13	13	15	17
Load length at floor	2670	3120	3120	3705	3705	3705	4070	4070
Load length at mid-height with bulkhead	2464	2914	2914	3555	3555	3555	3920	3920
Load width (maximum)	1870	1870	1870	1870	1870	1870	1870	1870
Load width between wheel arches	1422	1422	1422	1422	1422	1422	1422	1422
Load height (maximum)	1662	1662	1932	1932	1932	1932	2172	2172
Side door width	1075	1250	1250	1250	1250	1250	1250	1250
Side door height	1485	1485	1755	1755	1755	1755	1755	1755
Rear doors width	1562	1562	1562	1562	1562	1562	1562	1562
Rear doors height	1520	1520	1790	1790	1790	1790	1790	2030
Rear door load sill height	535-565	535-565	535-565	535-565	535-565	535-565	535-565	535-565
<b>Exterior Dimensions (mm)</b>								
Wheelbase	3000	3450	3450	4035	4035	4035	4035	4035
Length	4963	5413	5413	5998	5998	5998	6363	6363
Height	2254	2254	2254	2522	2522	2522	2522	2760
Width (excl. door mirrors)	2050	2050	2050	2050	2050	2050	2050	2050
Front overhang	948	948	948	948	948	948	948	948
Rear overhang	1015	1015	1015	1015	1015	1015	1380	1380

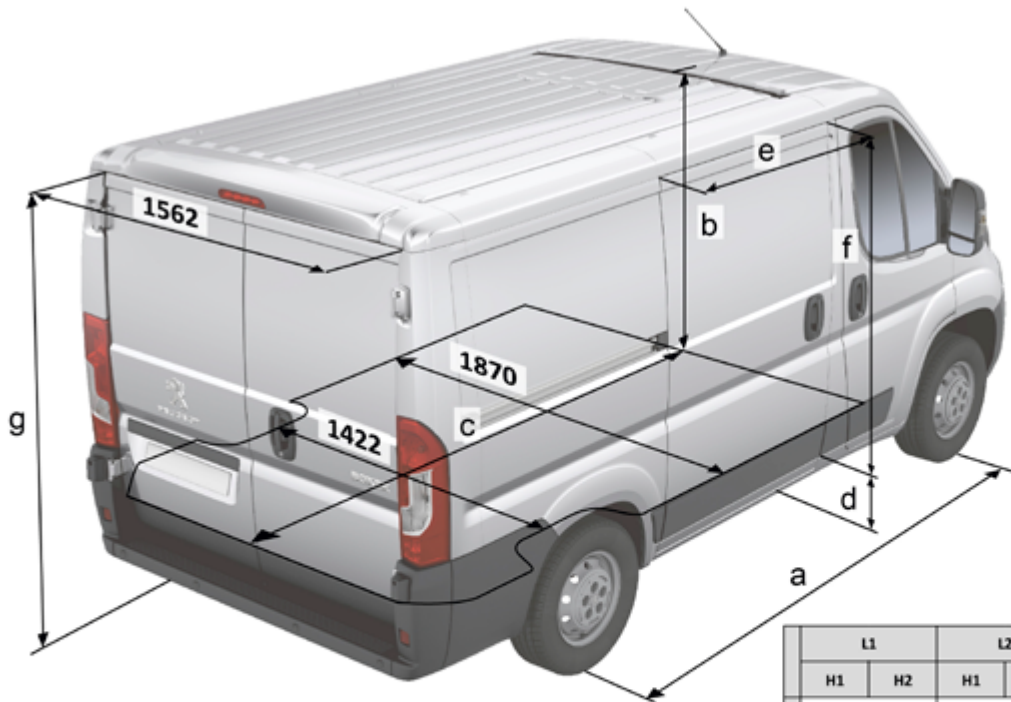
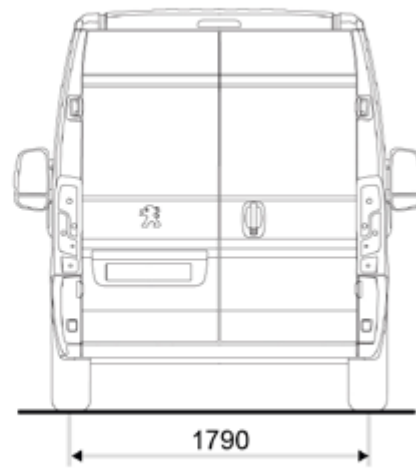
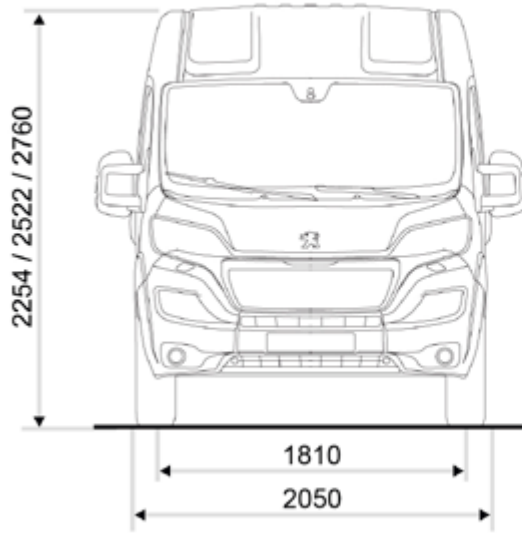
# PEUGEOT BOXER TECHNICAL INFORMATION

## BOXER PANEL VAN: EXTERIOR & INTERIOR DIMENSIONS



# PEUGEOT BOXER TECHNICAL INFORMATION

## BOXER PANEL VAN: EXTERIOR & INTERIOR DIMENSIONS









	L1		L2		L3		L4	
	H1	H2	H1	H2	H2	H3	H2	H3
a	3000		3450		4035		4035	
b	1662	1932	1662	1932	1932	2172	1932	2172
c	2670		3120		3705		4070	
d	493 / 602							
e	1075		1250		1250		1250	
f	1485	1755	1485	1755	1755		1755	
g	1520	1790	1520	1790	1790	2030	1790	2030







( mm )

# PEUGEOT BOXER TECHNICAL INFORMATION

## BOXER PANEL VAN: VOLUMES (m<sup>3</sup>)

L1	L2	L3	L4	I
			 17 m <sup>3</sup>	H3
	 11,5 m <sup>3</sup>	 13 m <sup>3</sup>	 15 m <sup>3</sup>	H2
 8 m <sup>3</sup>	 10 m <sup>3</sup>			H1

## BOXER PANEL VAN: GROSS VEHICLE WEIGHTS (KG)

L1	L2	L3	L4	E
			 3,5t / 4t	H3
	 3t / 3,3t / 3,5t	 3,3t / 3,5t	 3,5t / 4t	H2
 3t / 3,3t	 3t / 3,3t			H1

# GET TO KNOW THE PEUGEOT BOXER





**€60E DECEMBER 2023. FOR FURTHER INFORMATION TALK TO YOUR LOCAL PEUGEOT DEALER OR SEE [WWW.PEUGEOT.IE](http://WWW.PEUGEOT.IE).**

The information contained in this specification sheet, is based on the data and images available at the time of publication. Some photography may feature left hand drive models. All images shown are for illustration purposes only. Photographic processes used may alter the depth and tone of the colours shown. As part of a policy on continuous specification improvement, Peugeot reserves the right to modify colours, trims, engine range, options and standard equipment at any time. This specification sheet is not a contractual document or offer of sale.